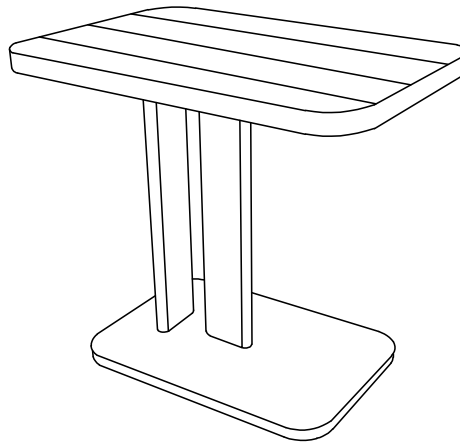


Harbour Outdoor Lounge – Side Table

Assembly Instructions



IMPORTANT: Please read these assembly instructions carefully before beginning assembly. Retain for future reference. CAUTION: This product is heavy. Assemble with the assistance of another adult. Do not assemble in the presence of children.

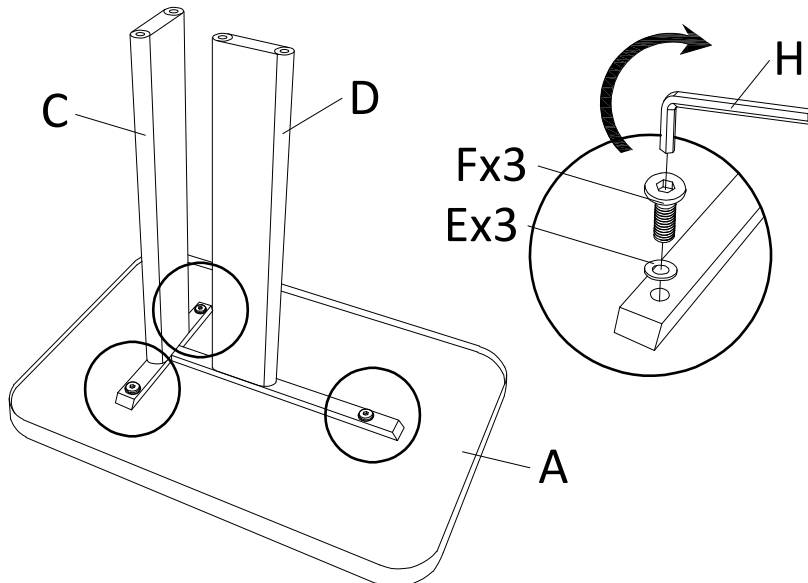


A (x1)	B (x1)	C (x1)	D (x1)	E (x7)	F (x3)	G (x4)	H (x1)

Insert all bolts and loosely finger tighten first. Once all bolts are in place, re-visit each bolt and fully tighten with the provided tool(s). Do not fully tighten bolts one by one.

- PLEASE SEPARATE AND IDENTIFY ALL PARTS, MAKING SURE THAT YOU HAVE ALL OF THE PARTS LISTED.
- TO AVOID ANY SCRATCHES DURING ASSEMBLY, PLEASE ASSEMBLE ON A SOFT MAT OR SIMILAR.
- PLEASE ASSEMBLE STEP BY STEP AND FOLLOW THE INSTRUCTIONS.
- WASHERS MUST BE USED WHERE SUPPLIED.
- WHILE EACH BOLT AND NUT IS PROPERLY FASTENED, DO NOT OVER FASTEN IT.
- DO NOT COMPLETELY FASTEN EACH BOLT AND NUT UNTIL ALL THE BOLTS ARE PROPERLY FIXED.

- 1.** Assemble the table legs (C) and (D) to the underside of the table base (A) using the 3 short M8 bolts (F) with a washer (E) each



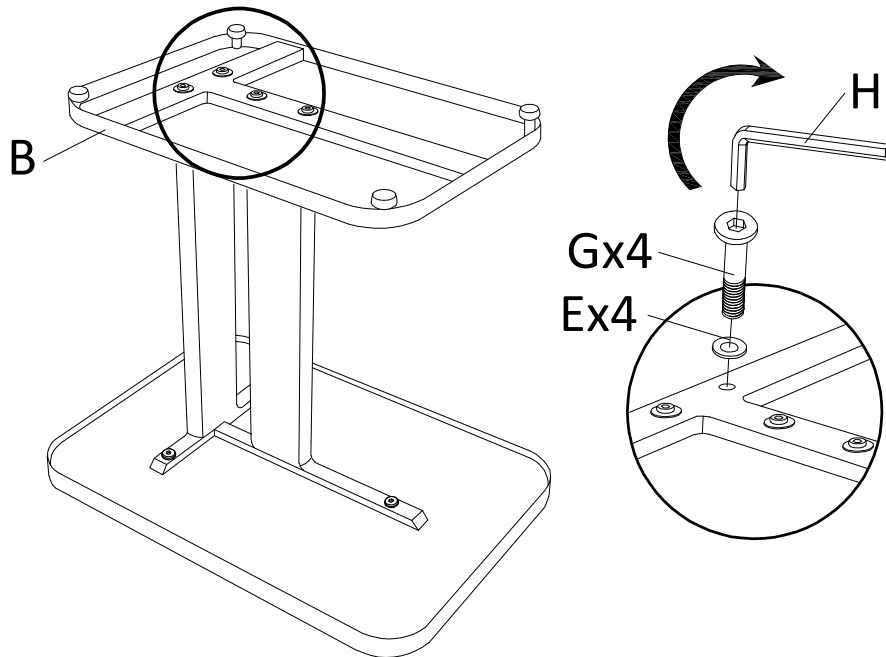
(continued next page)

Harbour Outdoor Lounge – Side Table

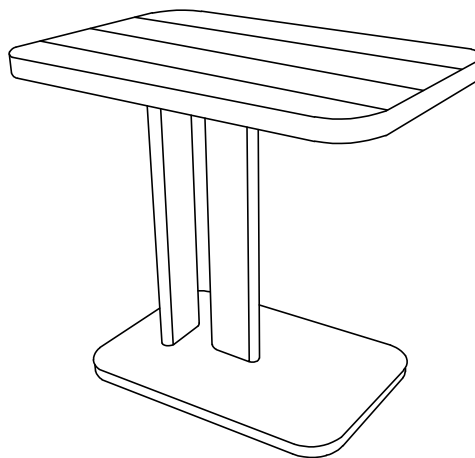
Assembly Instructions



2. Attach the table base (B) to the table legs (C) and (D) using the remaining 4 bolts (G) and washers (E)



3. Carefully turn the completed table upright and lift into position (do not drag).



For care and maintenance tips please visit: [synargy.com/product-care](https://www.synargy.com/product-care)